
BENKO PRODUCTS INC.

MEZZANINE SAFETY GATE: CLEAR-AISLE MODEL



Space-Saving Safety Gate

The Protect-O-Gate Clear-Aisle Safety Gate is a revolutionary design, taking up only 10" of aisle space when open to the mezzanine floor. Easily installed, this industrial gate fits into tight spaces while maintaining maximum safety. Available in single and double pallet widths, the Clear-Aisle safety gate is also fully customizable to meet your project's needs.

Specifications:

Model PG-04-CA (Single Pallet)

Model PG-08-CA (Double Pallet)

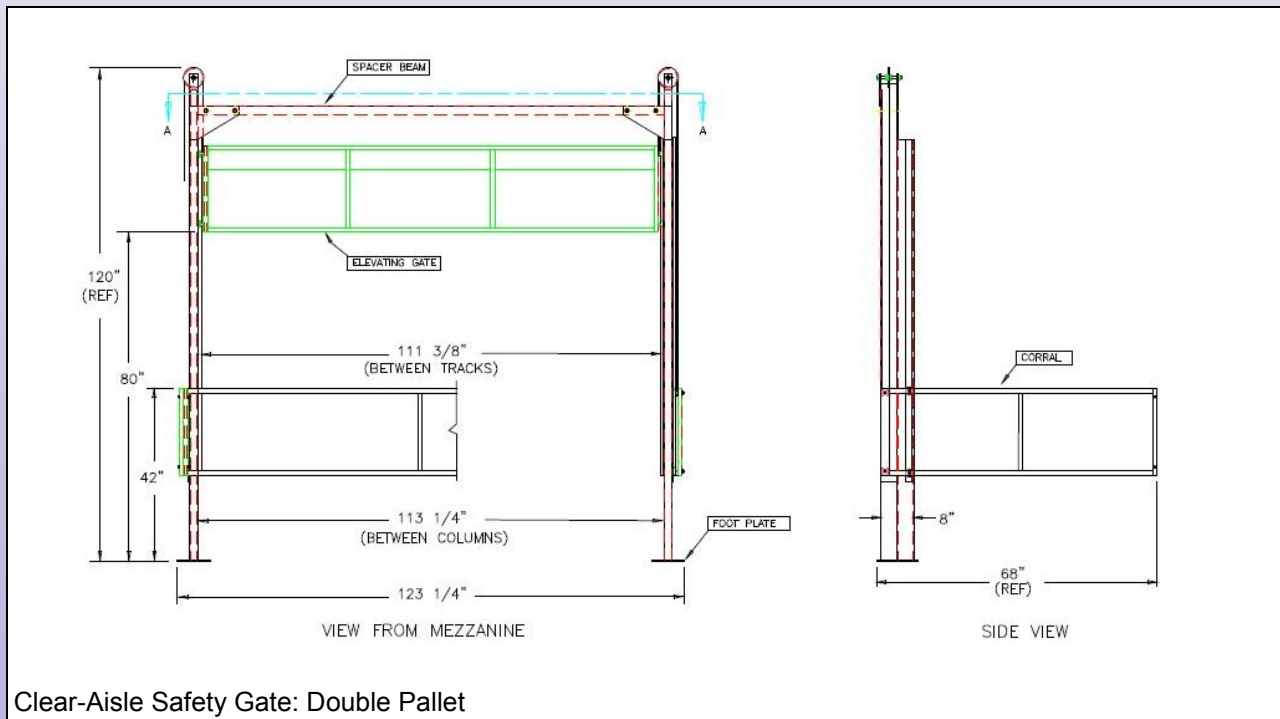
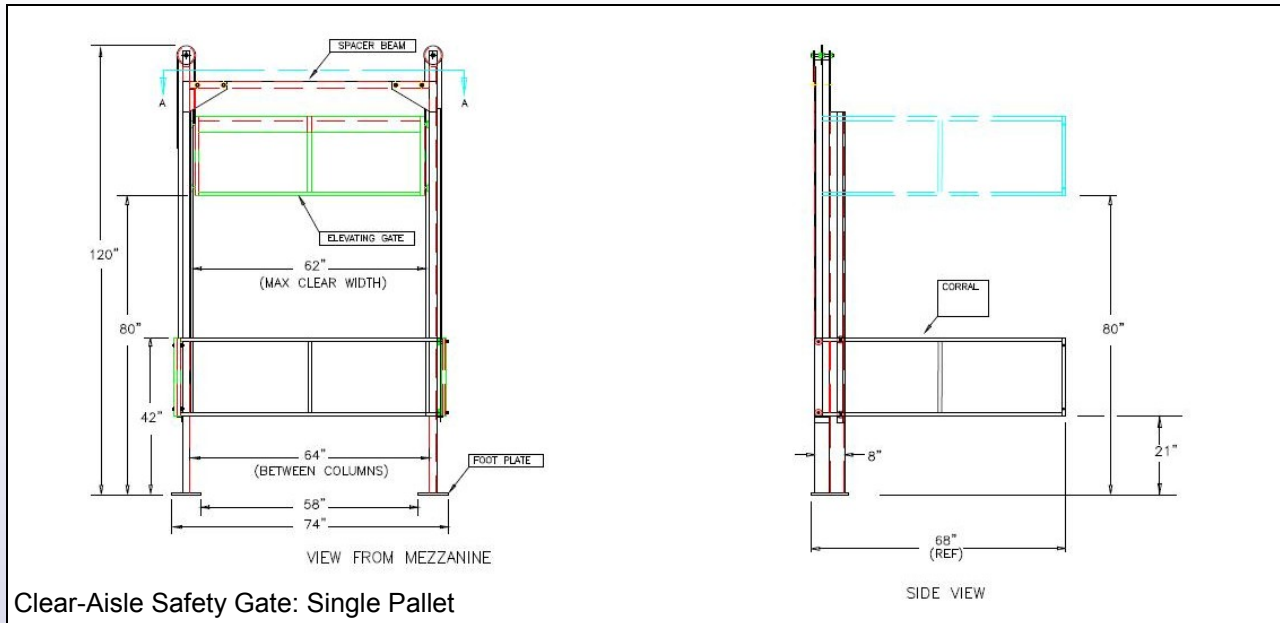
- Provides access to the work area from three sides.
 - Requires only 10" of space on mezzanine when "corral" is in the raised position.
 - Ergonomic, counterbalanced operation.
 - Durable, welded steel construction.
 - Shipped partially assembled for easy installation.
 - Patent pending.
 - ****Power Option available!**
- Contact us for details.



Benko Products, Inc. 5350 Evergreen Pkwy Sheffield Village, OH 44054
Phone: (440) 934-2180 Fax: (440) 934-4052 email: info@benkoproducts.com
www.benkoproducts.com

BENKO PRODUCTS INC.

MEZZANINE SAFETY GATE: CLEAR-AISLE MODEL



Benko Products, Inc. 5350 Evergreen Pkwy Sheffield Village, OH 44054
Phone: (440) 934-2180 Fax: (440) 934-4052 email: info@benkoproducts.com
www.benkoproducts.com